

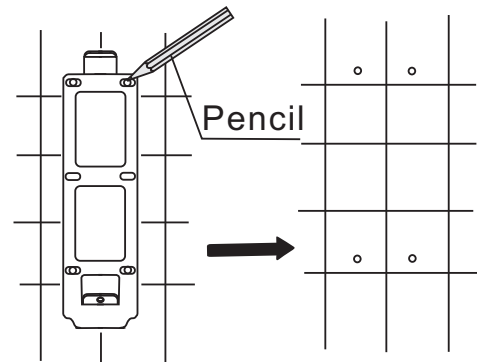




# Install method

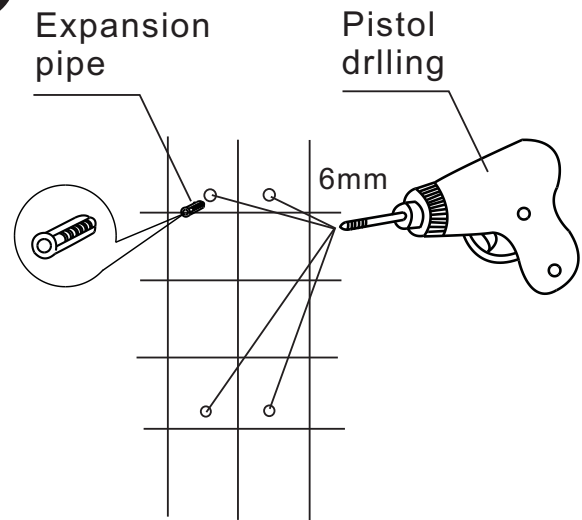
## 1 Drawing the position of mounting holes

- According to the installation position, put the mounting plate with one hand gently holding in the place which the machine will be installed. Then use the other hand to draw the positions of mounting holes in pencil or draw them directly according to the size.



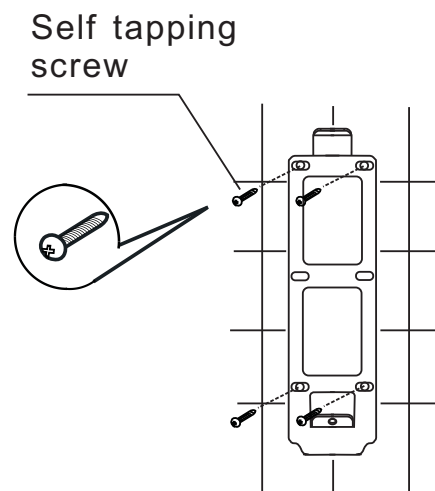
## 2 Drilling holes

- In accordance with the drawn holes position, drill four holes 6 mm in diameter and press the expansion pipes into four holes location.



## 3 Fixing the mounting plate

- Direct the installation holes of the installation panel at the expansion pipes and fix them with self-threading cross screws.

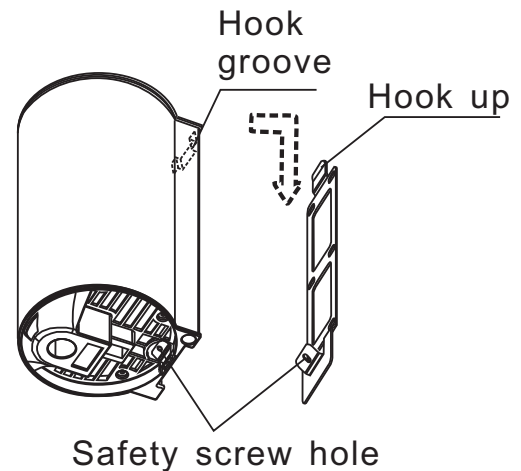


# Install method

## Installing the machine

- The mounting plate has protrudent hooks formed for inserting into the slots to hang the machine on it. Press down the machine until the anti-theft screw holes on machine and mounting plate are aligned.

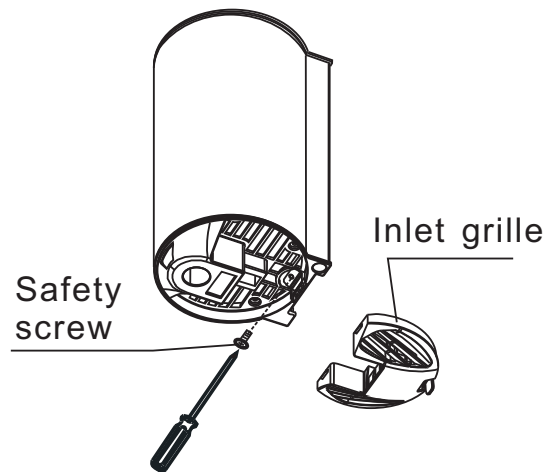
4



## Fixing anti-theft screws

- Screw anti-theft bolts in the bolt holes to fix the machine on the mounting plate.
- Install the air intake grill in the machine and make sure the grill is locked.

5



# Test run

	Steps	Confirm information	Check & Notice
1	Shake the machine gently	The machine is installed firmly without shaking	It will occur shaking and noisy when the machine doesn't install firmly
2	Confirm the power and voltage	Please use the rated Voltage	It will burn out machines or cause human accidents if the power use incorrect
3	Switch on the power	Close external power supply switch or insert the power plugs	Power socket must be match the machine plug Please check the power when the indicator light not bright
4	Slid in your hands to drying	High speed wind blow out	Please confirm whether your hands are far away from the sensor parts if there is no wind blowing out

# Packing list

---

main machine . . . . .	1	User manual . . . . .	1
5×25mm self tapping screw . . . . .	4		
5mm expansion pipe . . . . .	4		

