

Stainless Steel Hand Dryer AK2801



Feature

- Powerful outlet, fast dry hands in 10-15 s
- One piece 1.2mm #304 stainless steel or 3.0mm Aluminum alloy, stable and durable
- Brand new outlet, easy to install and beautiful
- Round outlet makes the airflow more concentrated
- Heat system automatic on/off according to the ambient temperature Power and
- working LED indicator

Customize your dryers' temperature:

1. When the room temperature is higher than 25°C, It blows normal temperature air (550W). When the room temperature is below 25°C, It blows warm air (1400W)
2. Remove the temperature sensor(Explanation in the instructions), It always blows warm air (1400W).

SPECIFICATIONS

ELECTRICAL

VOLTS	WATTS	NO HEAT WATTS	HERTZ	MOTOR
100-130V/220-240V	1400-1650W	550W	50/60 Hz	Universal Motor
DRY TIME	TEPERATURE	MATERIAL	AIR SPEED	
10-15 S	20-40° C	Stainless Steel	65M/S or 110 M/S	

DIMENSIONS

Height 320 mm(12.6") Width 295 mm(11.4") Depth 170 mm(6.7")

ACTIVATION

Automatic Sensor Operated

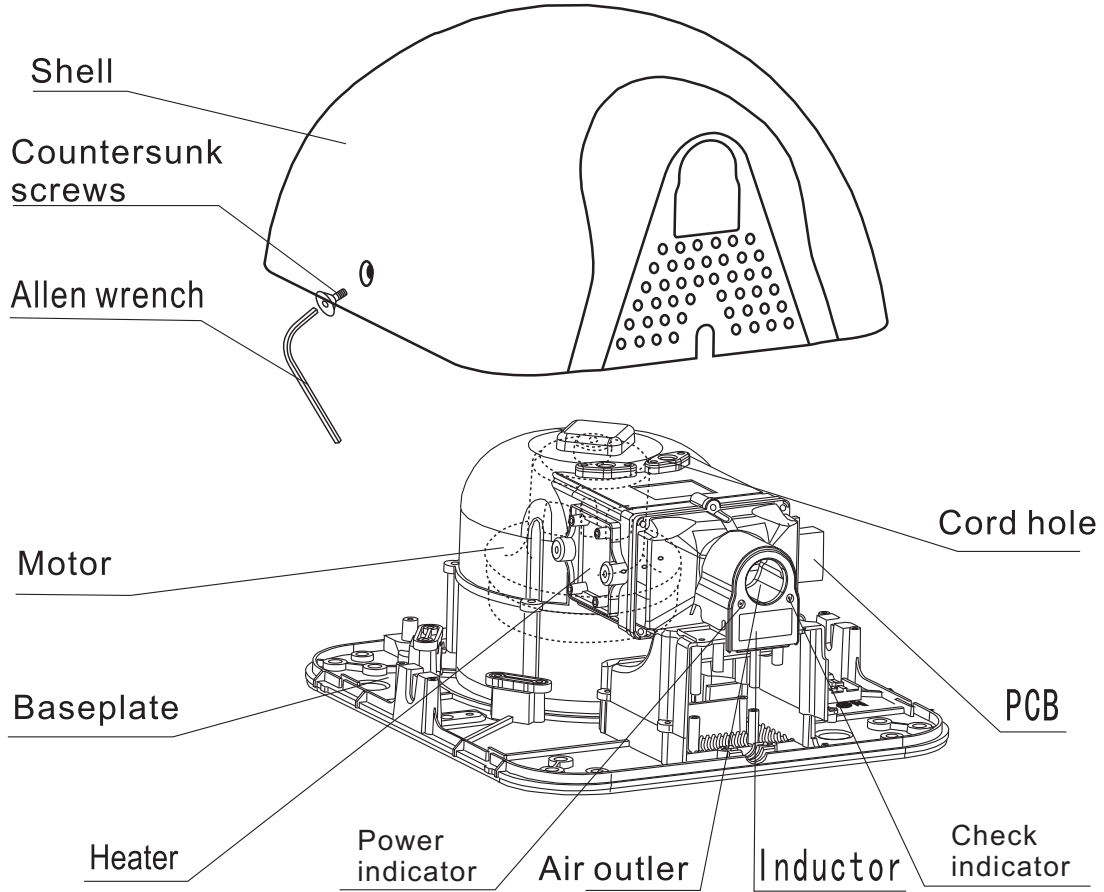
MOUNTING

Surface Mounted

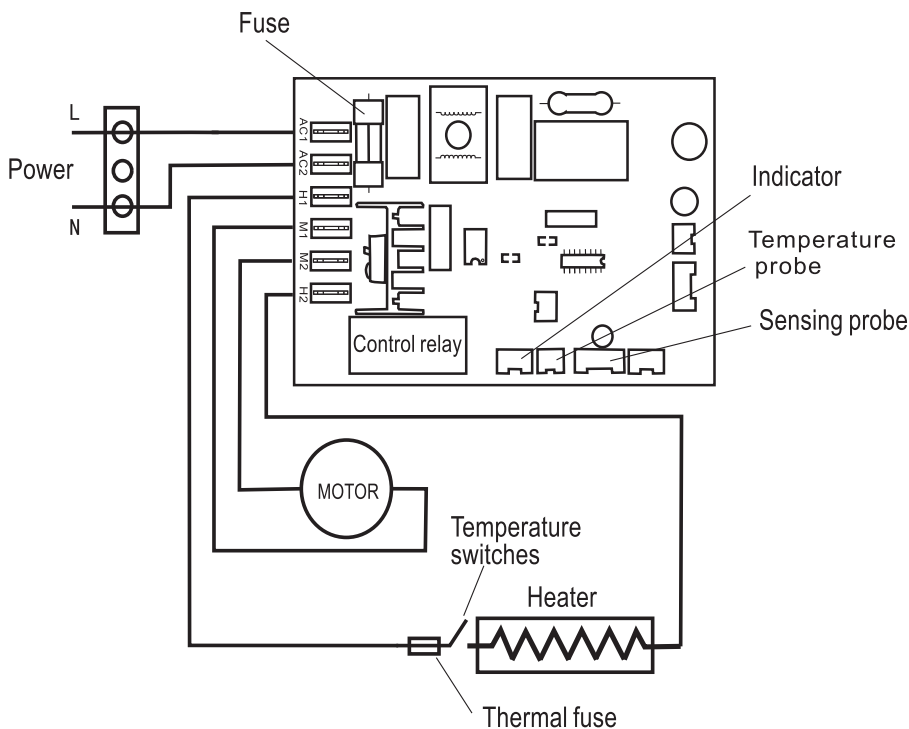
WEIGHT

4.2 kg (9.3lbs)

Name of each part



Electrical diagram

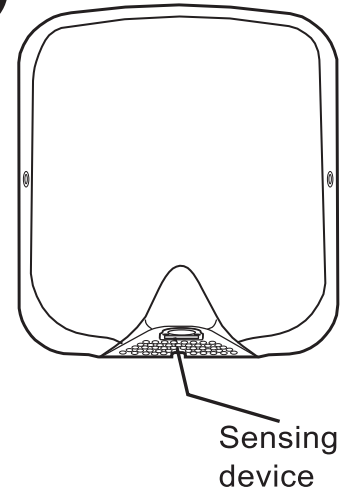


Daily use and maintenance

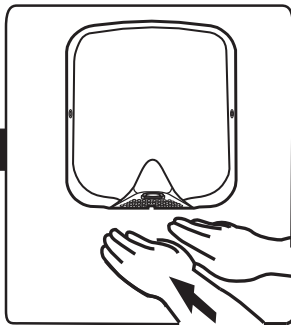
External maintenance

- Screw with a soft dry cloth or towel Sassafra. Please use neutral detergent Please don't use organic solvents, acid or alkali toilet cleaner, cleaning brush etc.
- ❗ Otherwise, the machine will destroy machine surface finish or produce discoloration.
- ❗ If using a chemical cloth, make sure that the use of attention.

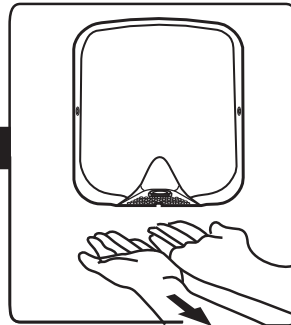
1



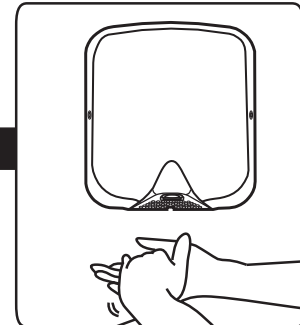
2



Slowly moving up the back of the hand before and after



Palm of the hand before and after slowly moving upwards



Mutual hands